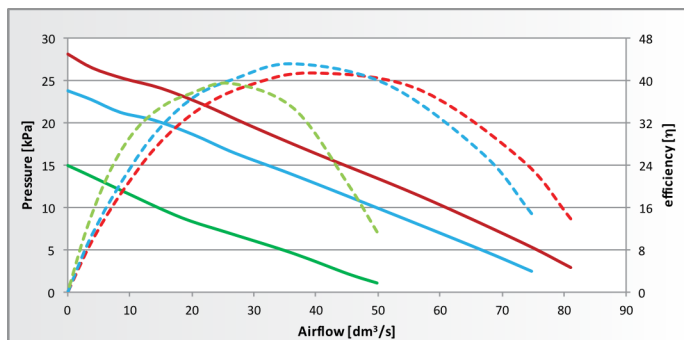
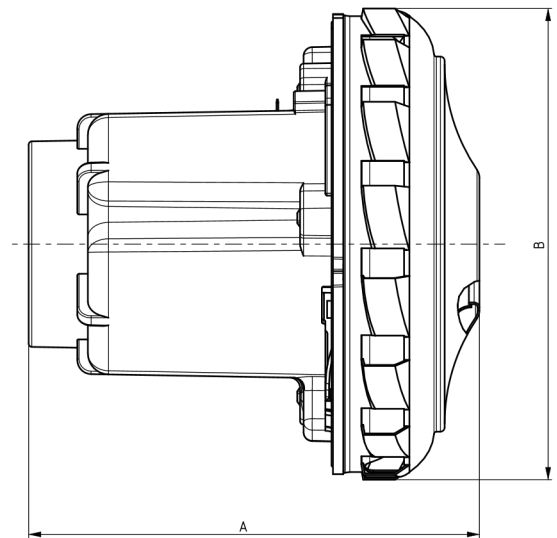


SERIES 467 VACUUM MOTORS FOR DRY AND WET APPLICATIONS

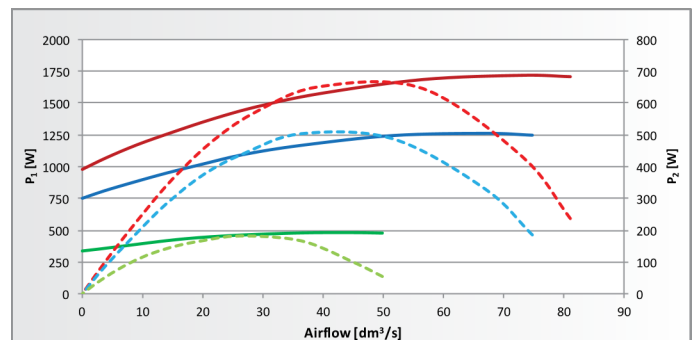
The efficiency of series 467 vacuum motors is further proof of their excellent power to weight ratio, making them top of our eco-friendly range.

Series 467 vacuum motors can be mounted into a chassis that allows for an easy brush replacement, extending their life-span further. Separators for water filters can also be installed. The

main advantages of these motors are their compact size, high duty cycle and high vacuuming power, comparable with that of a multi-stage motor. Series 467 motors are used in various vacuuming applications with a power of up to 1900 W, available in voltages from 12 V to 240 V, are double insulated and do not require grounding provision.



— 1700 W — 1250 W — 500 W



--- 1700 W --- 1250 W --- 500 W

Max. Power W	Nominal Power W	Vacuum		Airflow		Air power W	Efficiency %	Mass kg	Voltage V	Frequency Hz	Code	A mm	B mm
		kPa	inH ₂ O	dm ³ /s	CFM								
1700	1500	26,7	107,3	77	162	615	39	1,25	230	50	467.3.420-6	125	131
1500	1350	26,7	107,3	70	148,3	540	39	1,22	230	50	467.3.403-3	125	131
1300	1200	24,5	98,4	68	144,1	480	39	1,21	230	50	467.3.402-10	125	131
1300	1200	22,9	91,9	70	147	470	39	1,21	120	60	467.3.421	125	131
1250	1100	23	92,3	71	150,4	460	40	1,11	230	50	467.3.234	125	131
1200	1100	24,5	98,4	65	137,7	430	37	1,1	120	60	467.3.228	125	131
1100	1000	21,3	85,6	66	138	410	40	1,12	230	50	467.3.440	129	131
800	750	19,2	77,1	59	125	295	37	1,08	230	50	467.3.231	129	131
500	400	14,2	57	47	99,6	170	37	1,1	230	50	467.3.225	129	131
450	400	14	56,2	47	99,6	165	37	1,1	115	60	467.3.226	129	131
450	400	12,9	51,8	47	99,6	150	32	1,03	24	DC	467.3.218	129	131