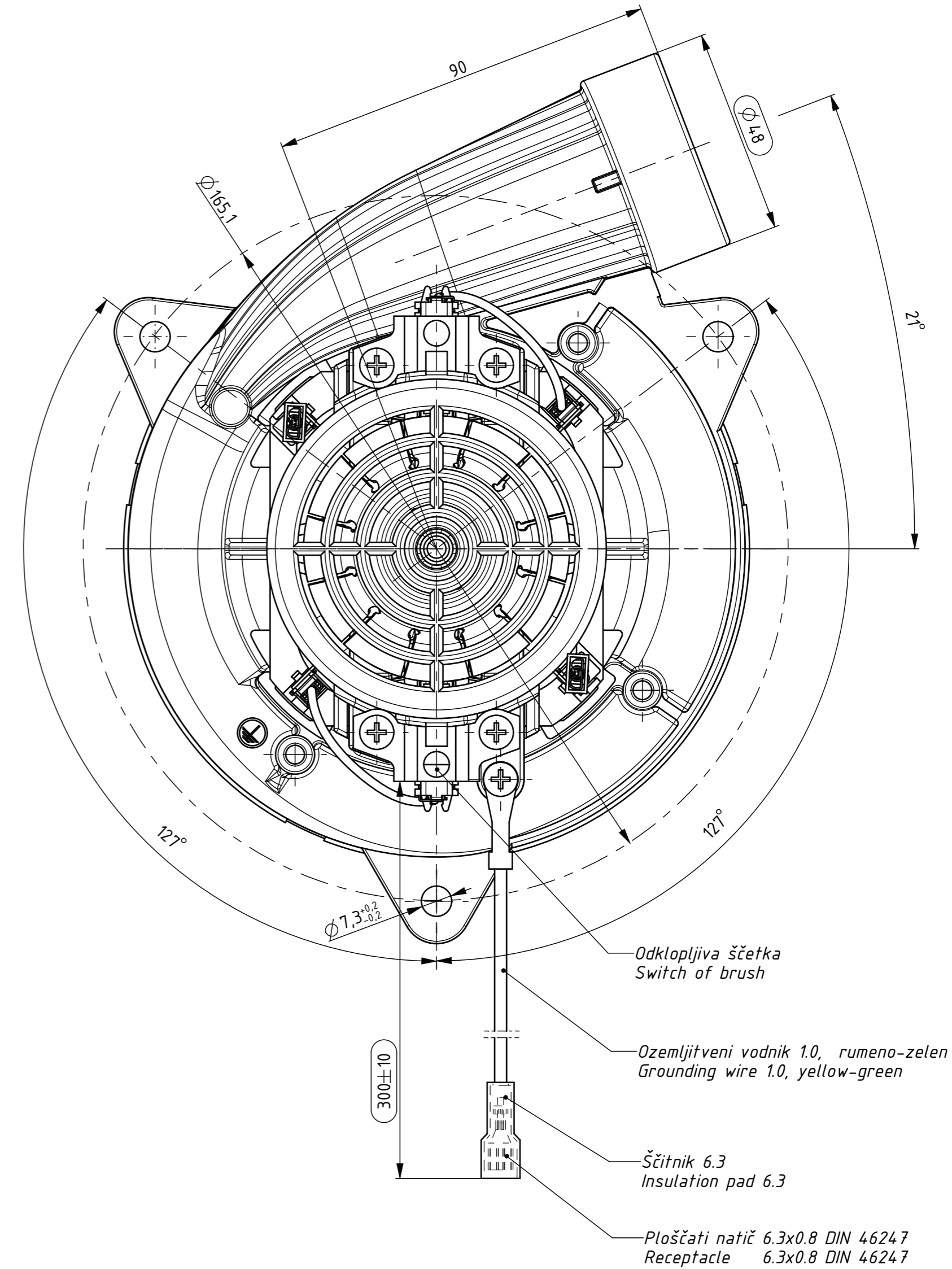
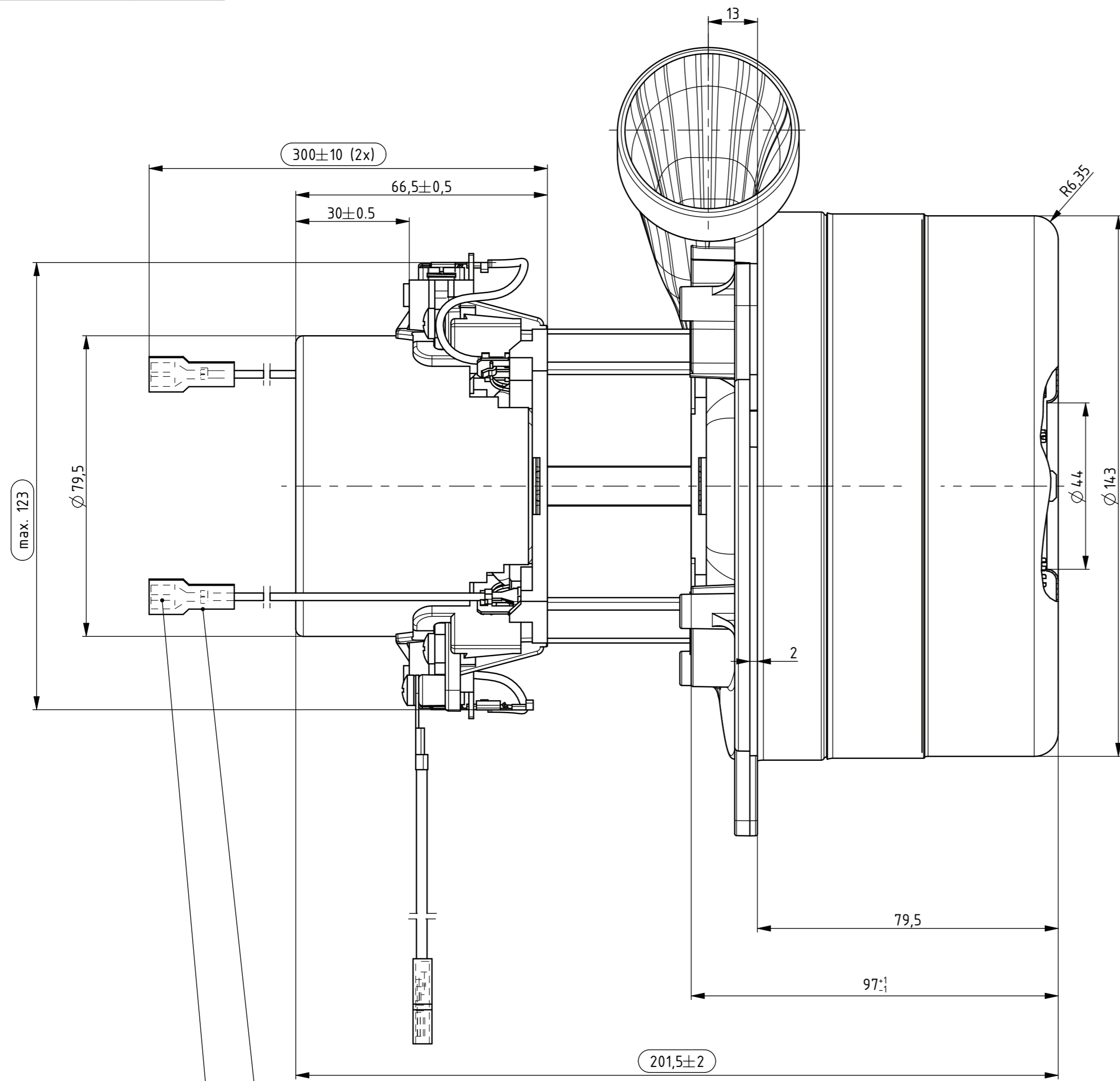


NAPETOST VOLTAGE	240 V
FREKVENCA FREQUENCY	50 Hz
NAZIVNA MOČ NOMINAL POWER	1550 W

Po UL predpisih.
In accordance with UL.



Ščitnik 6.3
Insulation pad 6.3

Ploščati natič 6.3x0.8 DIN 46247
Receptacle 6.3x0.8 DIN 46247

Oznake natisnjene na SE:
Information stamped on VCM:

DOMEL 4913.751 XXXX I.C.I.B MADE IN SLOVENIA A0		240V 50Hz 1550W HUSKY 5106-2

All dimensions in mm.

				Tolerance odprtih mer Tolerances without individual indications ISO 8015 ISO 2768 - mK	Površinska hrapavost Surface finishing	Merilo Scale		Original format ISO 5457 - A2	
				Datum/Date 3.1.2005	Ime/Name S. Zgaga	Naziv Title SESALNA ENOTA			
				Izdelal Designed 3.1.2005	Pregl. Verified 28.2.2020	Koda Code 4913.751			
E1	14593	28.02.20	I. Potočnik						List Sheet 3+
D2	10964	03.10.13	I. Potočnik						
C1	10510	25.01.13	I. Potočnik						
B1	8228	13.07.07	I. Potočnik						
A0	7231	04.02.05	S. Zgaga	Otoki 21, 4228 Železniki, Slovenija					Stran Page 1
Dzn. / Mark				Sf. / Nr. of notice	Datum / Date	Ime / Name	4913751000_SESALNA_ENOTA		

, * - pomembna mera
important dimension

Izdelano s CAD/ProEngineer - načno spreminjanje ni dovoljeno! Vsak prenos tretjim osebam ali uporaba v nedogovorjene namene ni dovoljena po zakonu o avtorskih pravicah. Made with CAD/ProEngineer - changing is not allowed! Any unauthorized copying of this drawing or unauthorized distribution of the information contained herein is prohibited.