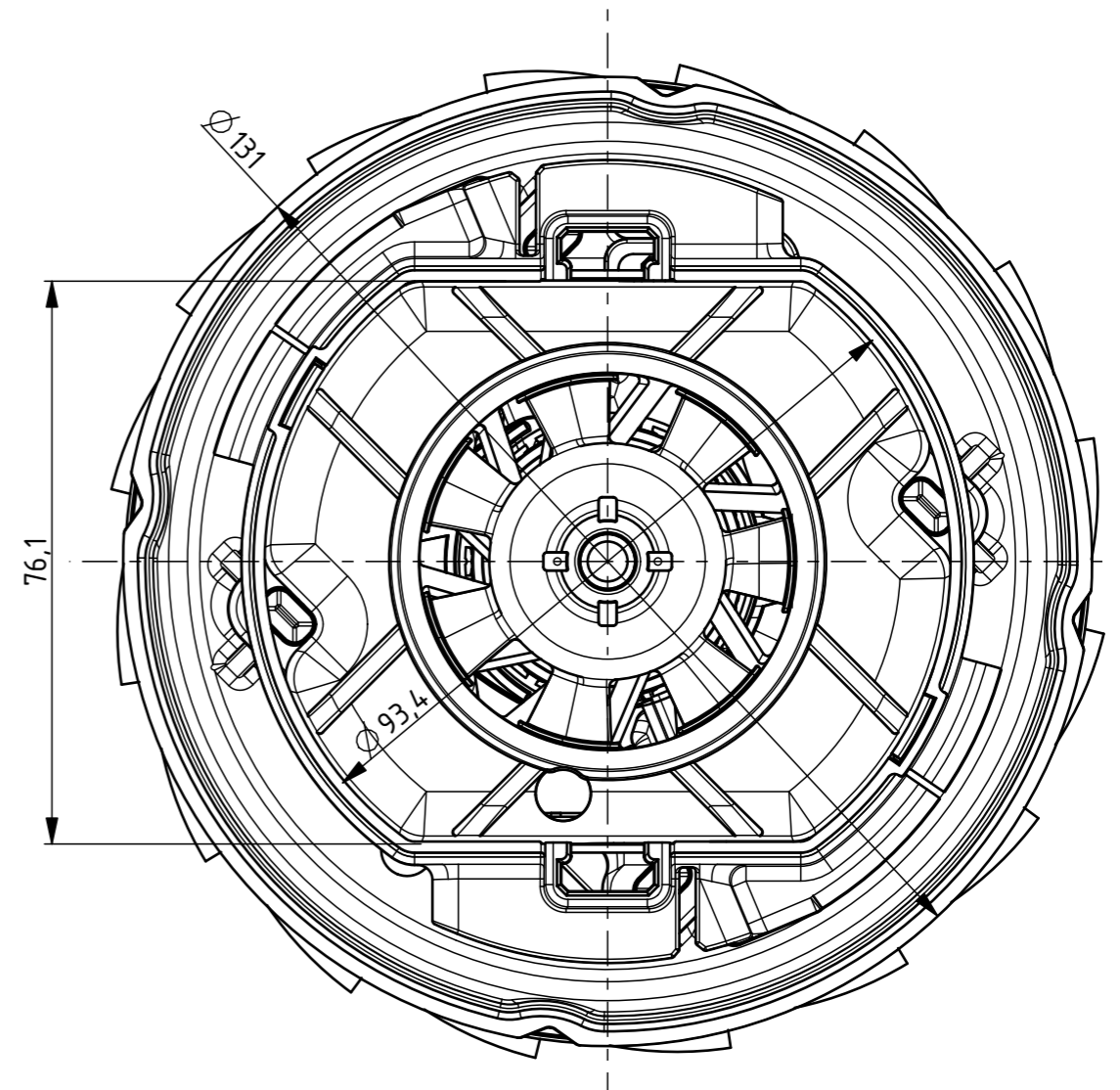
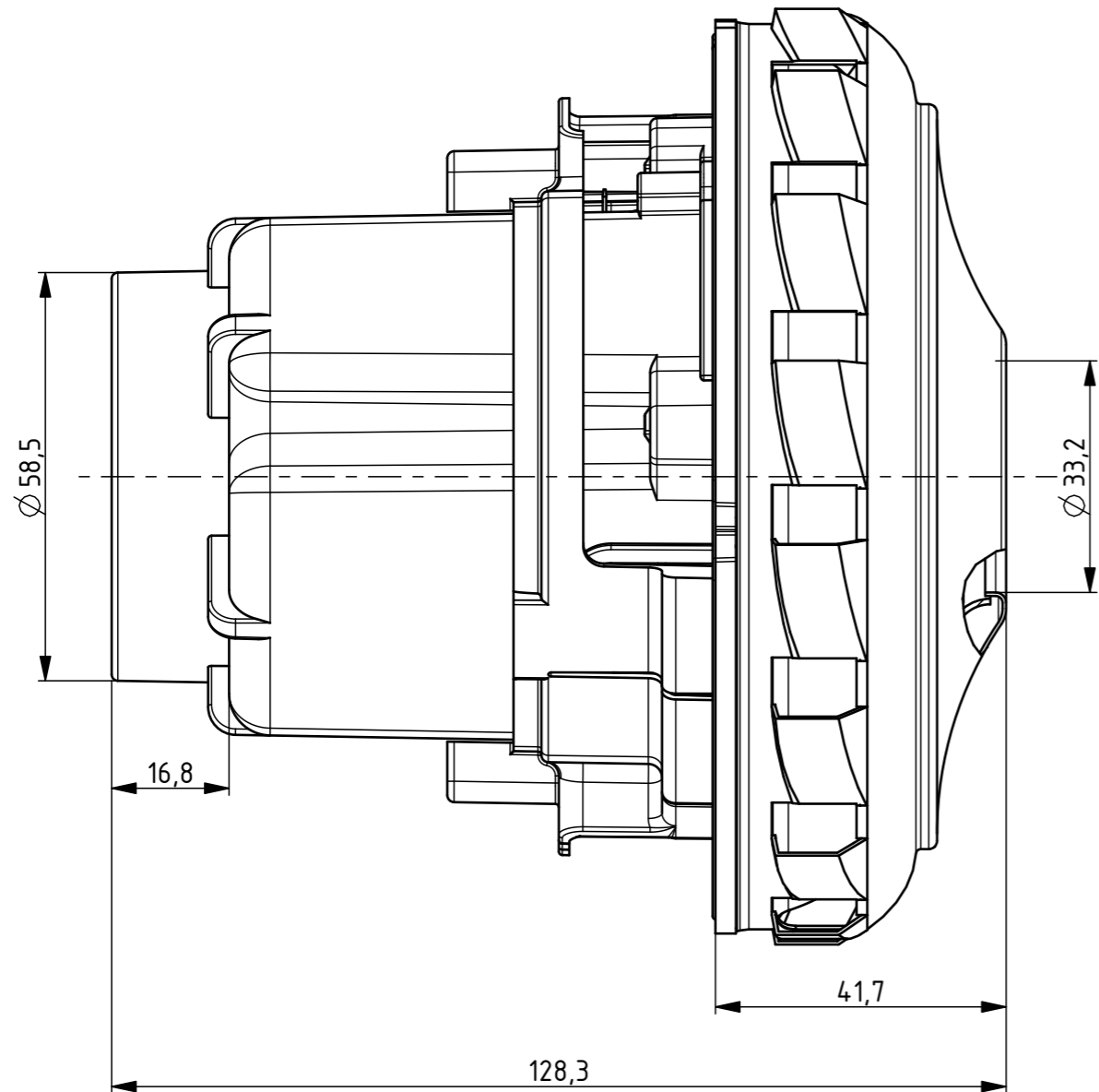


Izdelano s CAD/ProEngineer - ročno spreminjanje ni dovoljeno! Vsak prenos tretjim osebam ali uporaba v nedogovorjene namene ni dovoljena po zakonu o avtorskih pravicah. Made with CAD/ProEngineer - changing is not allowed! Any unauthorized copying of this drawing or unauthorized distribution of the information contained herein is prohibited.

NAPETOST VOLTAGE	230 V
FREKVENCA FREQUENCY	50 Hz
NAZIVNA MOČ NOMINAL POWER	1200 W
MAKSIMALNA MOČ MAXIMAL POWER	1300 W

DVOJNA IZOLACIJA
DOUBLE INSULATION

Verzija Status



Oznake natisnjene na SE:
Information stamped on VCM:

DOMEL 467.3.414-4
629156-6
230 V 50 Hz
I.CL.180
YYWWD S NNNN
MADE IN SLOVENIA



OSNOVNE ZNAČILNOSTI		TYPICAL CHARACTERISTICS	
IZVEDBA	ENOSTOPENJSKA	FAN SYSTEM	SINGLE STAGE
VLEŽAJENJE	DVA KROGLIČNA LEŽAJA	BEARINGS	DUAL BALL
VRSTA PRETOKA	MIMO MOTORJA	DISCHARGE	BY PASS
SMER VRTENJA	DESNA	DIRECTION OF ROTATION	CW

Tolerance odprtih mer Tolerances without individual indications ISO 8015 ISO 2768 - mK		Površinska hrapavost Surface finishing		Merilo Scale 1:2		Original format ISO 5457 - A3	
Datum/Date		Ime/Name		Gradivo / Material			
Izdelal Designed		27.08.14		D. Vrhunc		Naziv Title	
Pregl. Verified		27.08.14		Rihtaršič J.		SESALNA ENOTA VACUUM CLEANER MOTOR	
Ozn. Mark		Št. obvestila Nr. of notice		Datum Date		Ime Name	
A0		11451		27.08.14		D. Vrhunc	
DOMEL®		Otoki 21, 4228 Železniki, Slovenija		Koda Code		467.3.414-4	
						List Sheet 3+	
						Stran Page 1	
						4673414.004_SESALNA_ENOTA	